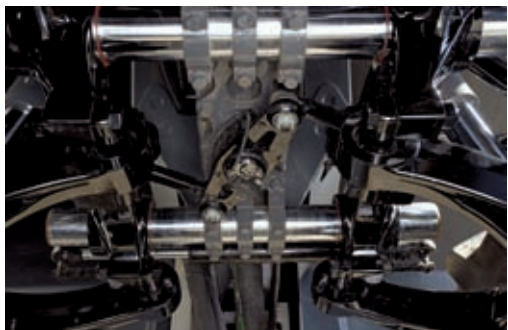


Weitere Einsendungen

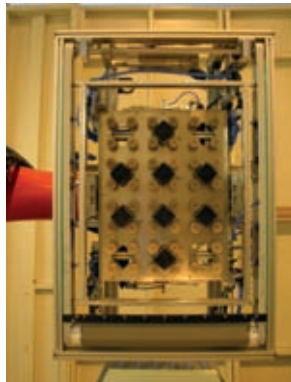
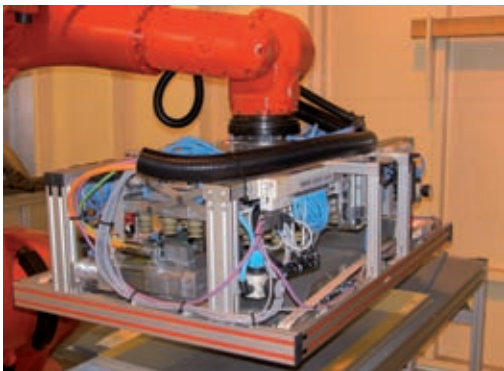
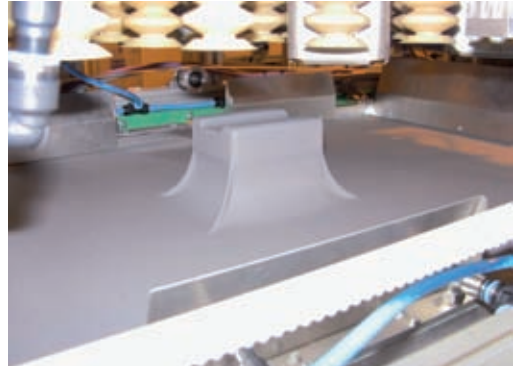


AGCO Netherlands BV, Joris Hiddema, NG Grubbenvorst, Netherlands

Spritzfahrzeug

Injection vehicle

Further applications

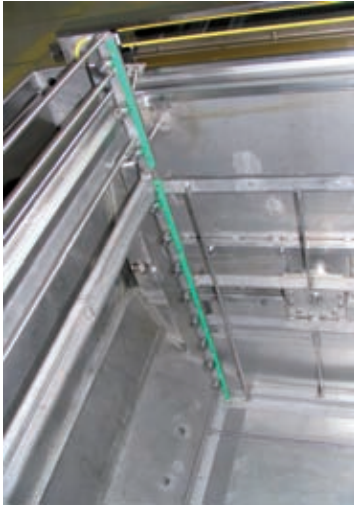


BRÖTJE-Automation, Arthur Stoll und Raphael Reinold, Wiefelstede, Germany

Handling-System für Verbundwerkstoffe

Composite Handling Systems

Weitere Einsendungen

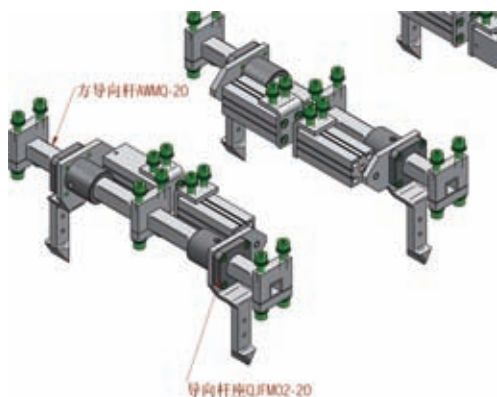


EKO-PIL Remigiusz Pilas, Łęgowo, Poland

Reinigungsmaschine

Cleaning machine

Further applications



Guangzhou PengDong Co., Ltd., Zhao Yongcai, Xiaoxintang, Dongpu Town, Tianhe District, Guangzhou, China

Linearbewegung

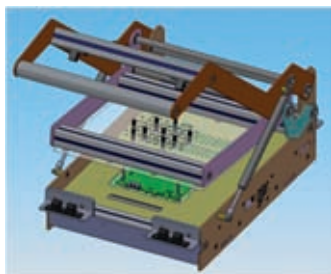
Linear moving machine



Progic Tecnologia Eletrônica Ltda ME, Tiarlei Noeremberg, Florianópolis / SC, Brazil

Prüfequipment

Testing equipment



Weitere Einsendungen



Scienza machinale, Andrea Rossi, Navacchio
(Pi), Italy
Roboterarm
Robot arm



Source Sounds, Paul Ellis, Chapeltown, Shef-
field, UK
Autotür
Car door

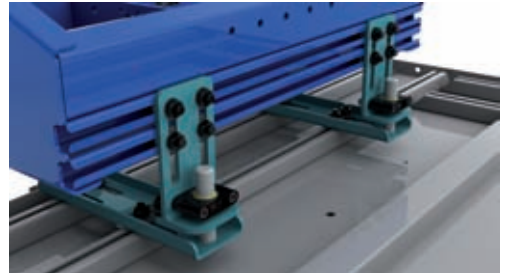
Further applications



**EixoFixo, Projectos Industriais, Lda, Thierry
Martin, Maia, Portugal**

Getriebemotor

Gear motor

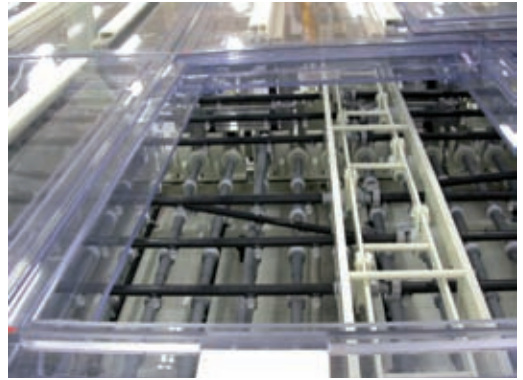


**FELESA, Jose Antonio Angulo, San Mateo de
Gallego - Zaragoza, Spain**

Fahrkorb

Lift car

Weitere Einsendungen



Shanghai Fengjun Co., Ltd., Jiang Weifeng, Shanghai, China

Transport von LCD-Platten

LCD panel handling



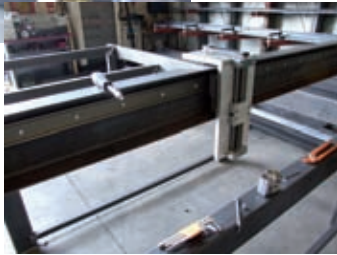
Mainetti s.p.a., Giovanni Ziggotti, Castelgomberto, Italy

Hängevorrichtung

Hanger



Further applications



digifer, Gianpiero Daidone, Sedriano, Italy

Plasma-Pantograph

Plasma cutting pantograph

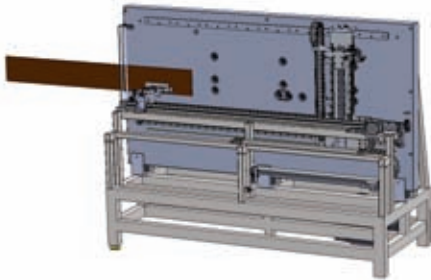


mehta cad cam, Dinesh Suthar, Ahmedabad, India

Bewegungsachse

Motion axis

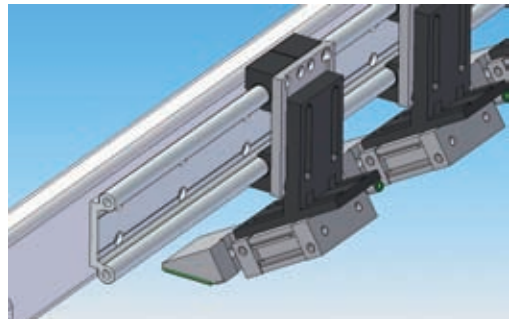
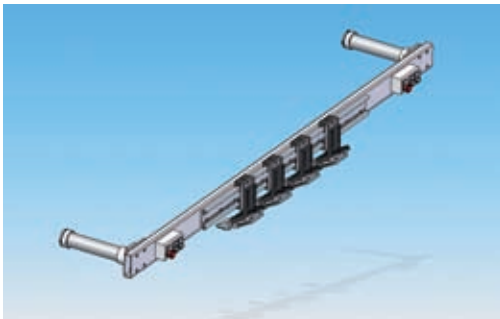
Weitere Einsendungen



Prewi Schneidwerkzeuge GmbH, Jamie Hodgson, Herford, Germany

Vermessungsanlage

Measuring device



DUE B. ERRE, Filippo Brivio, Mirovano di Alzate, Italy

Blockiersystem

Blocking system

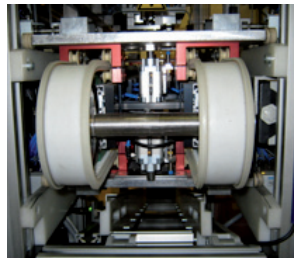
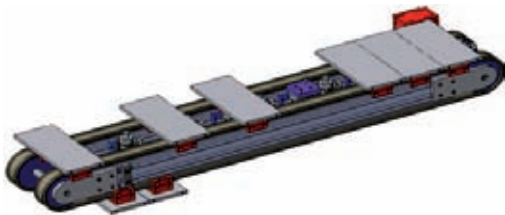
Further applications



Kedar Concepts, Yogesh Pradhan, Ahmedabad, India

Blasformmaschine

Blow molding machine

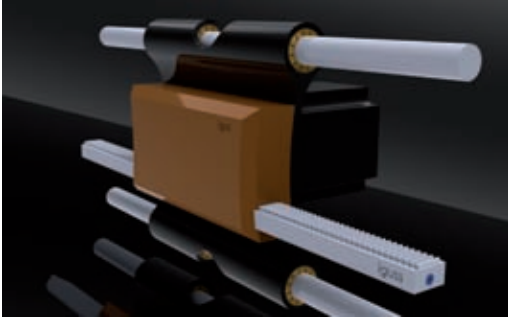


VORO GdBR, Hubert Kern, Dingolfing, Germany

Transportband

Feed band

Weitere Einsendungen



EPSA.UPV, Jamal Eddine Essahli, Alcoy-Alicante, Spain

Zahnstange

Rack and pinion



AH! sarl, Thierry Husson, Paris, France

Klemmung

Clamping

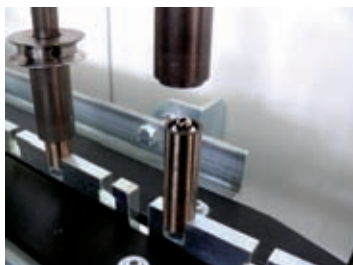
Further applications



Rafal Wagner, Iłowo, Poland

Glasmalanlage

Glass painting machine



Taller de Planchistería y Pintura Guggi S.L.,

Jordi Nielsen Muñoz, Torredembarra, Spain

Farbsprühsystem

Dust paint system



Weitere Einsendungen



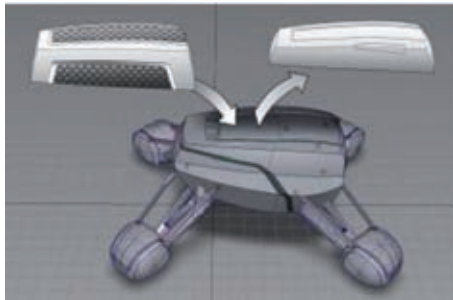
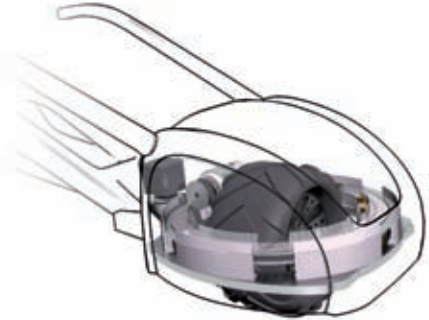
**Optitek GmbH, Hermann Geers, Kierspe,
Germany**

Container-Trennmittelstation
Container release agent station



Fabio Perini SpA, Marco Biasci, Lucca, Italy
Hubantrieb
Electric actuator

Further applications

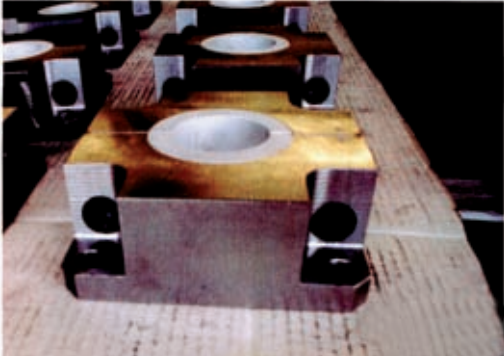


Burg Giebichenstein Hochschule für Kunst und Design Halle, Dirk Hesselbach, Halle, Germany

Roboterplattform

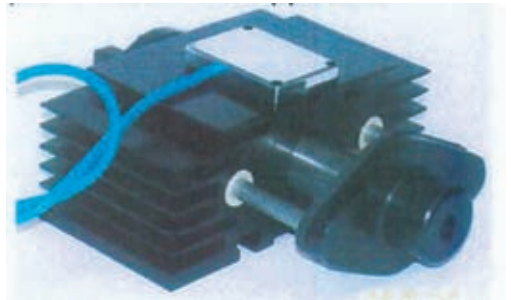
Robot platform

Weitere Einsendungen



**SARL VAT INDUSTRIE, André Vergnaud, Scille,
France**

Selbsteinstellendes Lager
Self-adjusting Bearing



**Direct Thrust Designs Ltd, Hugh Peter Kelly,
Southend on Sea, Essex, UK**

ElectroPiston
Elektrischer Kolben

Further applications



Layne Tilby, West Haven, USA

Bodenfräse

Rototiller

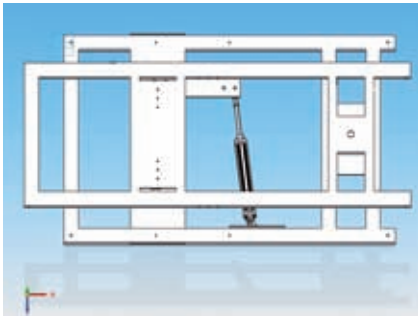


Venus Electronics & Controls Pvt. Ltd., Vijay
Bhatia, Mumbai, India

Lager im Triebwerk

Bearings in jet engine

Weitere Einsendungen



Victor Requena, Barcelona, Spain

Motorrad-Simulator

Motorbike simulator

Further applications



**South King Fire & Rescue, Steven Denton,
Federal Way, USA**

Laptop-Dockingstation im Feuerwehrauto
Mobile computer docking station in fire truck



Weitere Einsendungen



Rhodes Trailers & Truck Bodies, John Rhodes, Parkersburg, WV , USA

LKW-Kippvorrichtung

Tip truck

Further applications



CHAIN TAIL CO., LTD., James Shen, Wujih Hsi-ang, Taichung Hsien, Taiwan

Kupplung

Clutch



Elbflorace Formula Student Team TU Dresden e.V., Kai Lietz, Dresden, Germany

Winkelgetriebe im Rennwagen

Angular gear in racing car

Weitere Einsendungen



**KRAUS Sägewerk / Instandsetzung, Schreyer,
Gerlach, Altstadt, Germany**

Gabelstapler

Forklift



**ProLine Drag Chassis, John Wheelock, Pine
Island, USA**

Antriebsrolle im Schneemobil

Roller drive in snow mobile

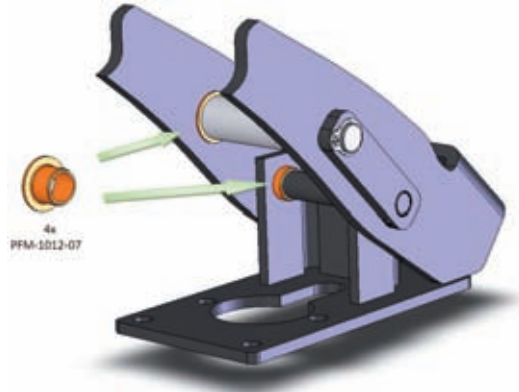
Further applications



Freelance Mechanical Design Engineer, Alexander Tan, Singapore, Singapore

Schiebedach

Sliding roof

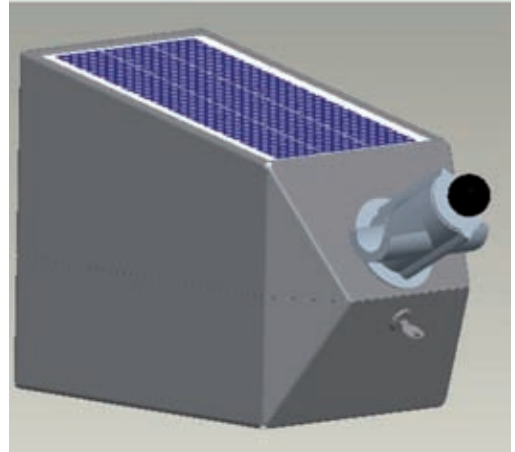


Poclain Hydraulics Klavivar doo, Anze Cevik, Ziri, Slovenia

Bremspedal

Brake pedal

Weitere Einsendungen



**Evotek Engineering, Alessandro, Mastrolia,
Castellnuovo Rangone, Italy**

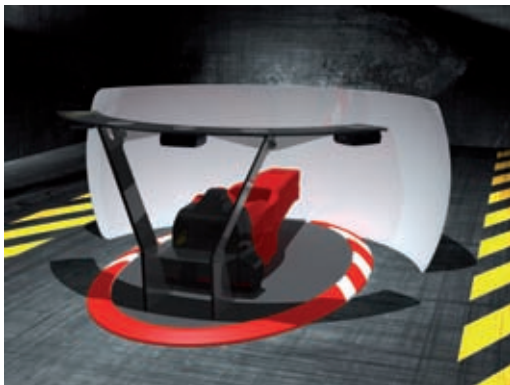
Formel 1-Simulator

Formula 1 driving simulator

**INSOTEC GmbH, Markus Grötsch, Weiden,
Germany**

Golfballreinigungsanlage

Golf ball cleaning device



Further applications



Challenge BV, Paul Voerman, MB APEL Doorn, Netherlands

Klapprad

Folding bike

Weitere Einsendungen



Valkur LLC, Thor Swanson, Lafayette, USA

Fitnessgerät

Exercise machine

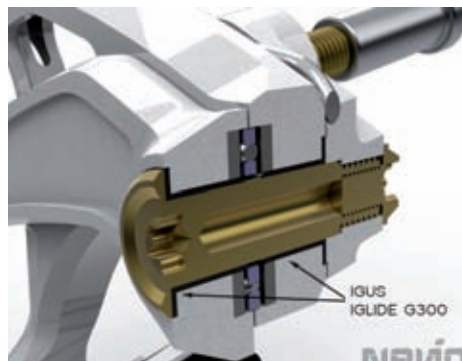
Further applications



NEVIO



NEVIO

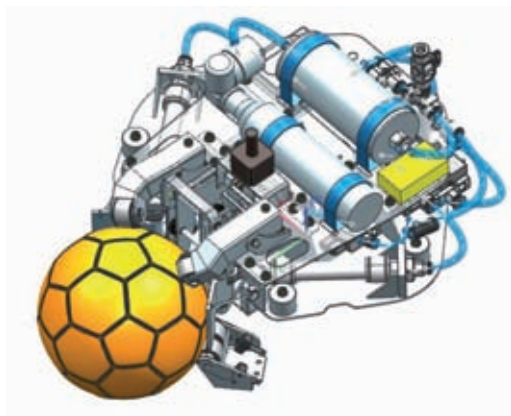
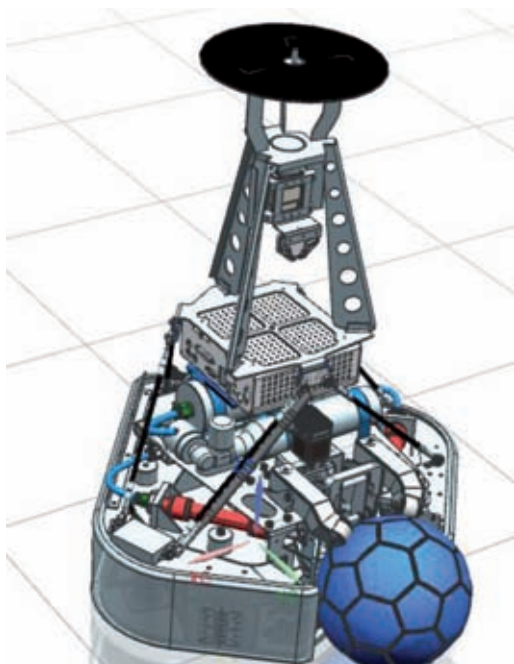


NEVIO DESIGN INC, Auger Erick, Jonquiere, Canada

Fahrradbremse

Bicycle brake

Weitere Einsendungen



Technische Universität Graz, RoboCup Team
Mostly Harmless, Norbert Rath, Graz, Austria
Fußball-Roboter
Soccer robot



Further applications

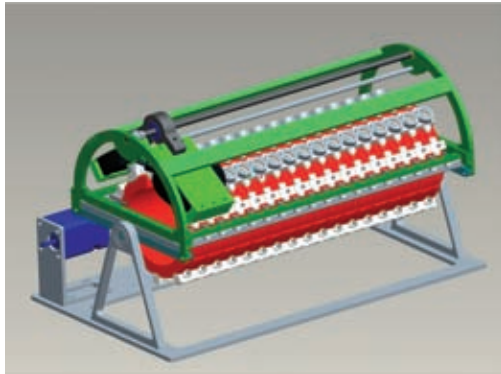
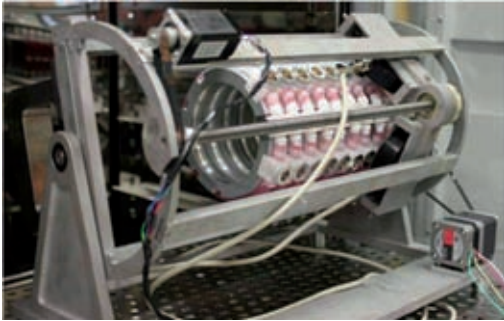


MID-Continent Engineering, Michael Heisig, Minneapolis, USA

Medizingerät

Medical device

Weitere Einsendungen



E.D.I., Daniele Pardini, Pontedera, Italy

Laserpointer

Laser pointer

IRCCS Istituto Ortopedico Galeazzi, Matteo Moretti, Milano, Italy

Bioreaktor

Biochemical reactor

Further applications



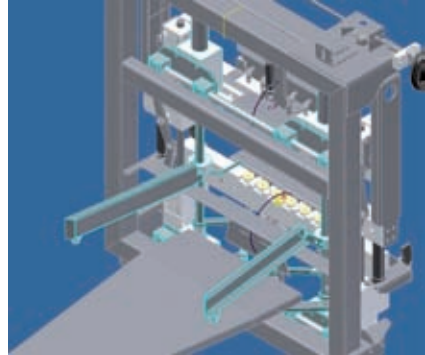
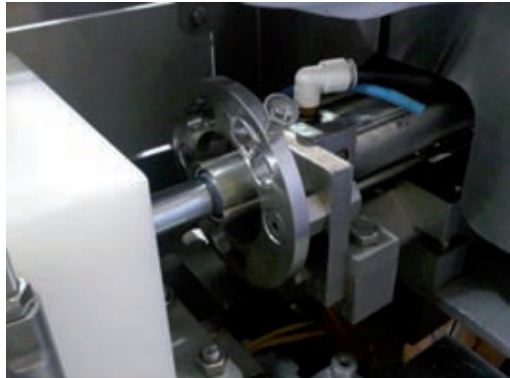
RINK GmbH & Co. KG, Olaf Staave, Kreuztal-Littfeld, Germany

Wegmess-System für die Getränkeindustrie

Position measuring system for beverage industry



Weitere Einsendungen



Tipper Tie Inc., Dennis May, Apex, USA

Fleischverarbeitungsmaschine

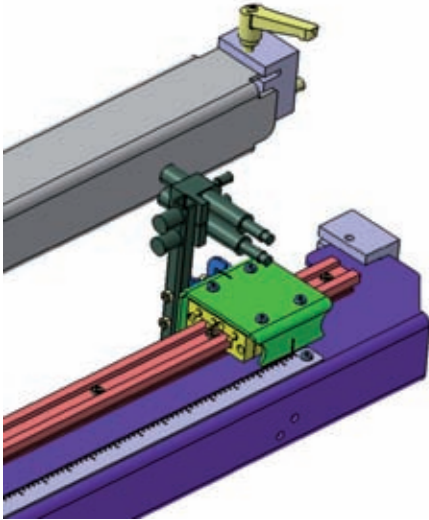
Meat working machine

Project Design, Mirko Scaratti, Cella Dati, Italy

Maschine für die Lebensmittelindustrie

Machine for food industry

Further applications



**bw maschinentechnik, David Mader, Witten,
Germany**

Siebdrucktisch

Screen printing device

**BOBSTGROUP ITALIA, Davide Comelli, San
Giorgio Monferarato, Italy**

Optischer Sensor in Druckmaschine

Optical sensor in printing unit

Weitere Einsendungen



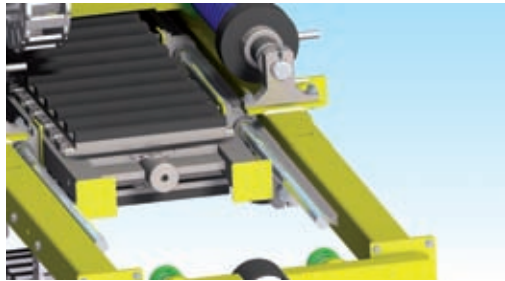
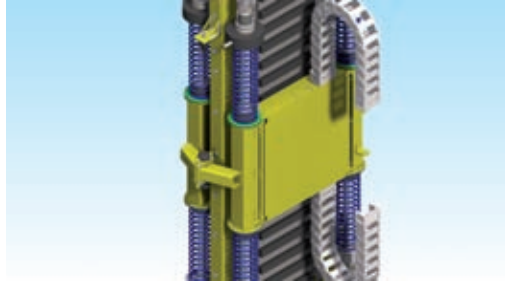
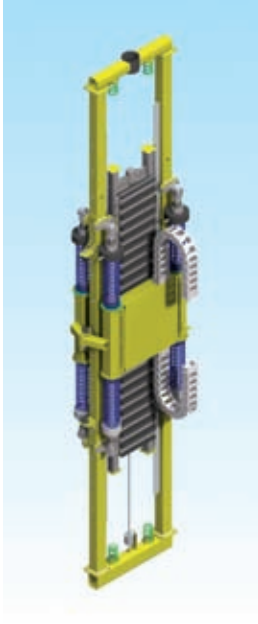
**TecnoSun Solar Systems AG, Thomas Vogel,
Neumarkt i.d.OPf., Germany**

Solaranlage

Solar plant



Further applications



Narec, Harry Jones, Blyth, UK

Wellenkraftwerk

Wave power plant

Weitere Einsendungen

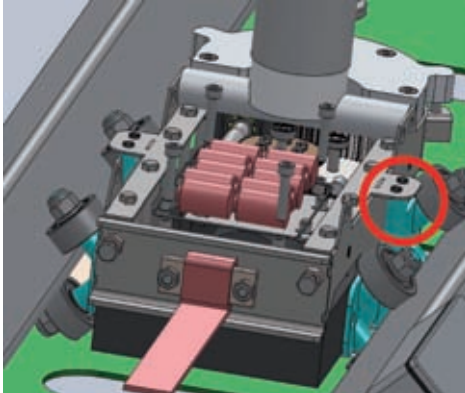


ELMO, Joze Saje, Grosuplje, Slovenia

Unterwasserroboter

Underwater robot

Further applications



Tradewind Turbines, Nick Del-Greco, Marsh Barton, Exeter, UK

Windturbine

Wind turbine

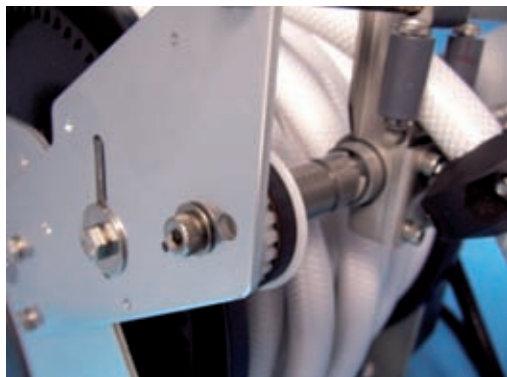


Oerlikon Solar AG, Trübbach, Damian Ehrensperger, Basel, Switzerland

Antrieb in der Solarzellenherstellung

Drive in solarcell manufacturing

Weitere Einsendungen



Glendinning Marine Products, Inc., Mark M. Rose, Conway, USA

Schlauch

Hose

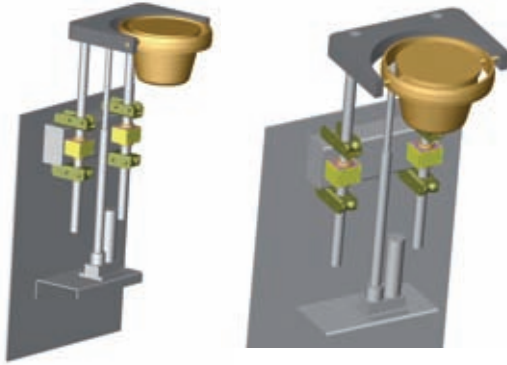
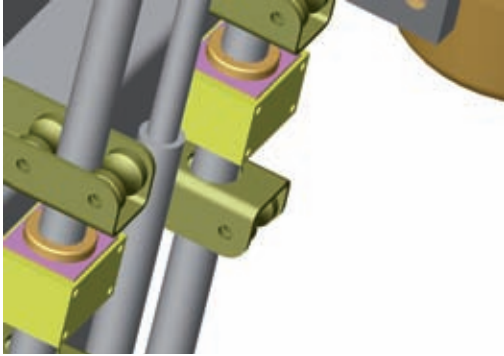
ALUMARINE, Sylvain Arnoux, Coueron, France

Bootschraube

Boat screw



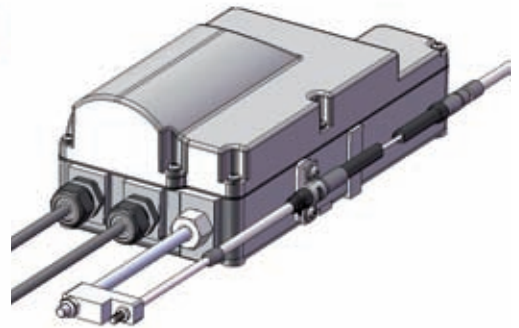
Further applications



IBK Ingenieurbüro Rainer Karallus, Rainer Karallus, Horst, Germany

Verstellbarer Kompass

Adjustable compass

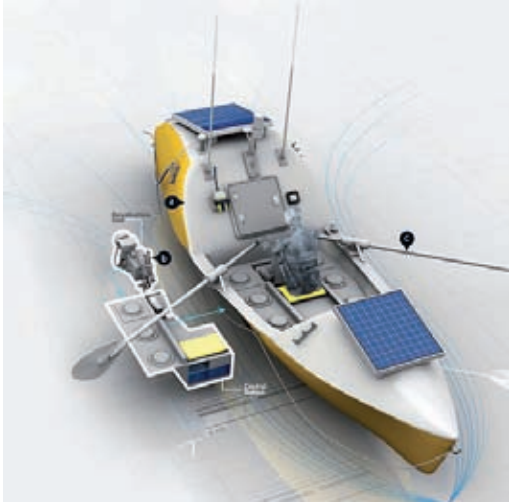


Glendinning Marine Products, Inc., Mark M., Rose, Conway, USA

Aktuator

Actuator

Weitere Einsendungen



Gig Harbor Boat Works, David Robertson, Gig Harbor, USA

Verstellbarer Sitz im Ruderboot

Adjustable seat in rowing boats



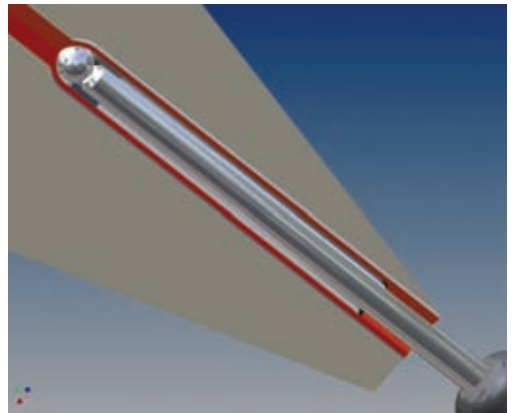
LIMAC Products, Richard Porqueddu, Upton, USA

Tragflächen in Modellflugzeugen

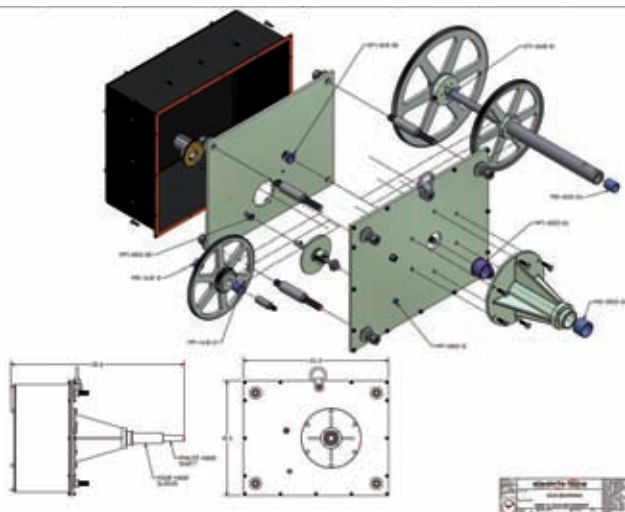
Wings in model airplanes

Further applications

Robert Buisan, Manguio, France
Wetterhahn
Weather vane



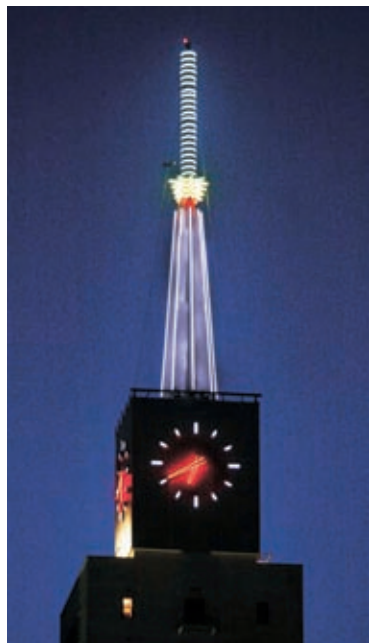
Weitere Einsendungen



Electric Time Company, Thomas Alberts, Medfield, USA

Turm-Uhrwerk

Tower clock work



Further applications

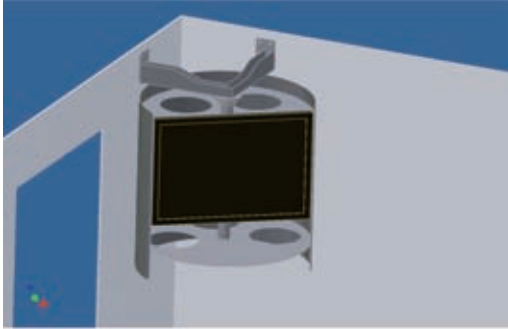


kurzweilig, Martina Brandmeier, Gross-Umstadt, Germany

Lernspielzeug

Educational toys

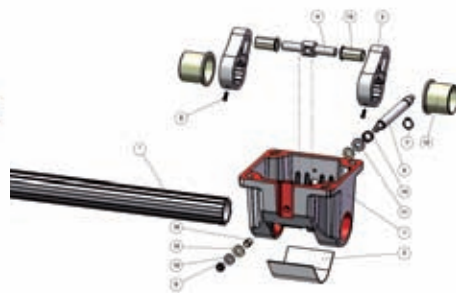
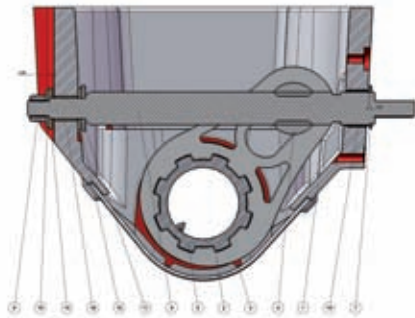
Weitere Einsendungen



Pro.tec, Bruno Piovan, La Loggia, Italy

TV-Wandhalterung

TV wall holder

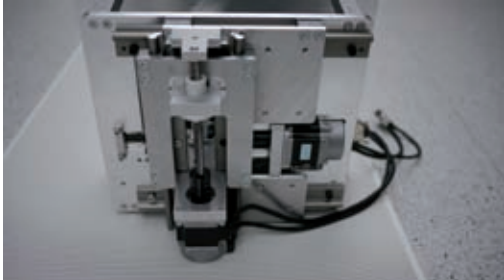


Coublanc Stores, Cyril Vanmeerhaeghe, Coublanc, France

Markise

Awning

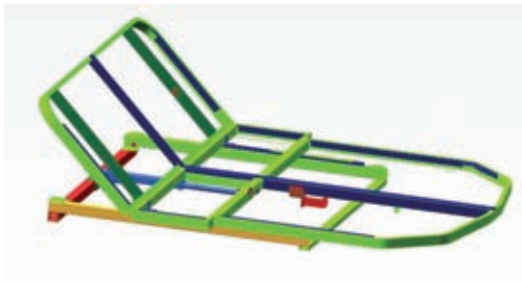
Further applications



Brunner Elektronik AG, Andreas Wieland, Hittnau, Switzerland

Force-Feedback-Joystick

Force feedback control unit



Zomi d.o.o., Tomaz Kos, Trebnjw, Slovenia

Klappbares Campingbett

Folding bed for camper



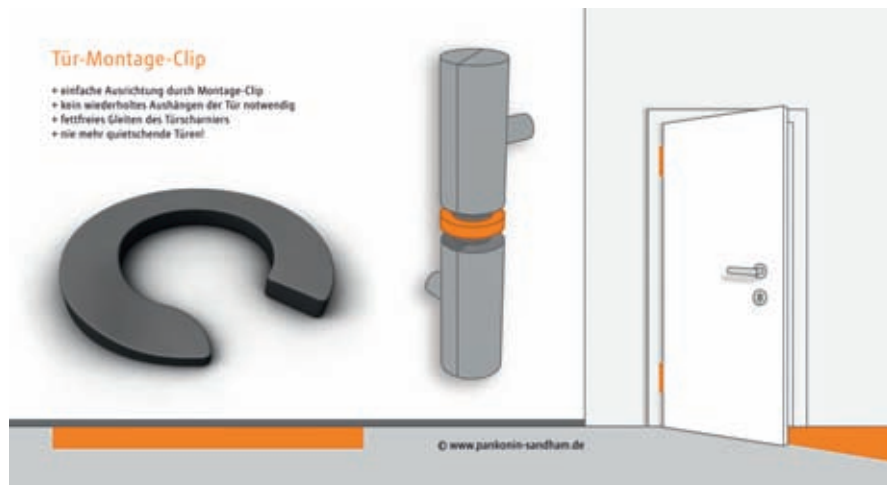
Weitere Einsendungen



Kerstin Ergenzinger, Bremen, Germany

Mechanik in Kunstinstallation

Mechanisms in installation art



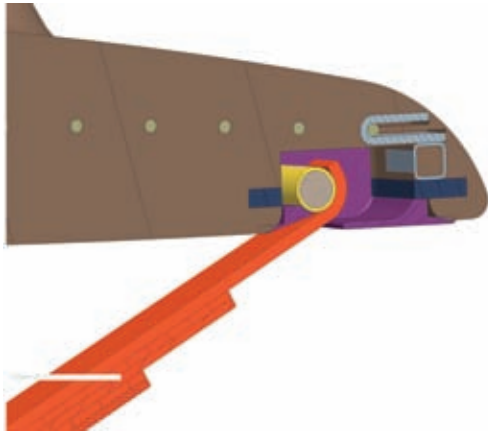
PANKONIN & SANDHAM GbR, Andreas Pankonin, Düsseldorf, Germany

Türscharnier

Door hinge



Further applications



Wilkhahan, Heiko Büttner, Bad Münde, Germany

Sitzmöbel

Seating furniture



iTEKTUR UG, Jörg Virchow, Hannover, Germany

Wandeinbauleuchte

Panel mounted light fixture



Teilnehmer

13. 17 Designs Ltd, Brian Milner, Bingley, UK
ABB Ltd., Charan S, Bangalore, India
abotic gmbh, Karin Sommer, Wien, Austria
Abraham Associates Ltd, Mark Newland, Bitterbe, South Hampton Hampshire, UK
AC Carbon, Carsten Hanke, Bad Eilsen, Germany
Adaptive Sports Ankle Prosthetics LLC, David Lyle, The Woodlands, USA
AGCO Netherlands BV, Joris Hiddema, NG Grubbenvorst, Netherlands
AH! sarl, Thierry Husson, Paris, France
Airmatic Gesellschaft für Umwelt und Technik, Dirk Voß, Hemer, Germany
Alfred Kärcher GmbH & Co. KG, Wolfgang Müller, Winnenden, Germany
ALLSET ELECTRONICS, Sanjay Bhalara, Rajkot, India
ALUMARINE, Sylvain Arnoux, Coueron, France
Appliedpropulsion, Mario Böhme, Groß-Zimmern, Germany
Archimedes Solutions GmbH, Frank Spenling, Berlin, Germany
Association Endlessflyers, Stéphane Rousson, Nice, France
auswall GmbH + Co KG, Stefan Albrecht, Tegernsee, Germany
Base Design Ltd, Mark Foyle, Gt. Dunmon, UK
Beijing Golden Color Tech Co., Ltd., Yang Huiyong, Beijing, China
Beijing YangHang KeMao Co.,Ltd., Xu Ming, Beijing, China
Big Drum Engineering GmbH, Marco Gottschalk, Edertal, Germany
BOBSTGROUP ITALIA, Davide Comelli, San Giorgio Monferarato, Italy
BOMECON BV, Jan Bos, BA Nijkerk, Netherlands
BONA PROGETTAZIONE E COSTRUZIONE DI BONALUMI MIRCO, Mir co Bonalumi, Cologno Monzese, Italy
BowTech Archery, Craig Yehle, Eugene, OR, USA
BRÖTJE-Automation, Arthur Stoll und Raphael Reinold, Wiefelstede, Germany
Brunner Elektronik AG, Andreas Wieland, Hittnau, Switzerland
Burg Giebichenstein Hochschule für Kunst und Design Halle, Dirk Hesselbach, Halle, Germany
bw maschinentechnik, David Mader, Witten, Germany
C. Krieger & Co. Nachfolger GmbH & Co.KG, Udo Klein, Koblenz, Germany



Participants

CABINET D'ETUDES TECHNIQUES ROBERT, Didier Robert, Chermignac, France
California Sidecar, Bryce White, Arrington, USA
CARDON Falzsysteme GmbH, Peter Zawilinski, Gußwerk, Austria
Carmelo Lagunas Escudero (3d2puntos), Carmelo Lagunas, Tudela, Spain
CHAIN TAIL CO., LTD., James Shen, Wujih Hsiang, Taichung Hsien, Taiwan
Challenge BV, Paul Voerman, MB APEL Doorn, Netherlands
Chongqing Tianhai Medical Equipment Co., Ltd., Wu Yongdong, Chongqing, China
CODERE SA, Denis Christe, Vendlincourt, Switzerland
COMDE GmbH / Konstruktion, Bastian Ruhle, Stahnsdorf, Germany
ContentsLab LLC, Michele Giudilli, Mattinata, Italia
Continental Automotive GmbH, Christian Ulrich, Regensburg, Germany
Coublanc Stores, Cyril Vanmeerhaeghe, Coublanc, France
creative engineers, Gaurang Shah, Ahmedabad, India
dan paul designs, Dan Paul Kryn timer, Margate, South Africa
D-BOX Technologies, Jean-Francois Menard, Longueuil, Canada
DE LA BALLINA INDUSTRIE, Mathieu Pigeau, Maleville, France
digifer, Gianpiero Daidone, Sedriano, Italy
Direct Thrust Designs Ltd, Hugh Peter Kelly, Southend on Sea, Essex, UK
Donati Srl, Marco Bracci, Vicopisano, Italy
DUE B. ERRE, Filippo Brivio, Mirovano di Alzate, Italy
Dyaco International Inc., Sam Chang, Hemei Town, Changhua county 508, Taiwan
E.D.I., Daniele Pardini, Pontedera, Italy
E.M.G. S.r.l., Paolo Daguati, Pozzaglio ed Uniti, Italy
Ecodomeo, Emmanuel Morin, Nyons, France
EixoFixo, Projectos Industriais, Lda, Thierry Martin, Maia, Portugal
EKO-PIL Remigiusz Pilas, Łęgowo, Poland
Elbflorace Formula Student Team TU Dresden e.V., Kai Lietz, Dresden, Germany
Electric Time Company, Thomas Alberts, Medfield, USA
Elektro & Solartechnik, Alois von Flüe, Subingen, Switzerland
ELIOS s.n.c. di Cadorin Sergio &C., Sergio Cadorin, Postioma di Paese, Italy



Teilnehmer

ELMO, Joze Saje, Grosuplje, Slovenia
EMCT Swiss-NonnTec SA, Tony Müller, Urtenen/BE, Switzerland
Emerald Wind Energy International LLC (EWEI), Ronald P. Barrett, Holden, MO, USA
ENZO & LENZINI IND. E COM. PRODUTOS NÁUTICOS LTDA., Anderson Moura, Brusque/SC, Brazil
EPSA.UPV, Jamal Eddine Essahli, Alcoy-Alicante, Spain
Etablissements LEPAGE, Camille Lepage, Chuelles, France
ET-P, Bernhard Peter, Bad Abbach, Germany
Eurosei srl, Piero Iemmolo, Rosta, Italy
Evotek Engineering, Alessandro, Mastrolia, Castelnuovo Rangone, Italy
Excellent-Audio, Alfons Abels-Rümping, Reiffelbach, Germany
Fabiio Perini SpA, Marco Biasci, Lucca, Italy
Fabrica Metalurgica da Gandra, Miguel Ribeiro, V.N.Famalicao, Portugal
Factory Five Racing, Jesper Ingerslev, Wareham, USA
FELESA, Jose Antonio Angulo, San Mateo de Gallego - Zaragoza, Spain
Ferromatik Milacron India Pvt Ltd, Kaushik Bhuva, Ahmedabad, India
FH Aachen, Changsheng Xu, Aachen, Germany
FilmING, Peter Gerulat, Hamburg, Germany
Fisheye, Stijn Slabbinck, Gent, Belgium
Fluid Power Design Ltd, Ian Milne, Grantham, Lincs, UK
FRANCO & FILS sa, Sylvain Migeon, Pougues-les-Eaux, France
Franz Hidber, Steckborn, Switzerland
Freelance Mechanical Design Engineer, Alexander Tan, Singapore, Singapore
Genus, Alister Chapman, Bracknell Berks, UK
Gert Schaffler, Graz, Austria
Giacomo Rolando, Pratiglione (Torino), Italy
Giardino Design, Bruno Giardino, Torino, Italy
Gig Harbor Boat Works, David Robertson, Gig Harbor, USA
Glas + Metall Weisssofner, Claus Weisssofner, Schwarzach, Austria
Glendinning Marine Products, Inc., Mark M., Rose, Conway, USA
GLIDETRACK (SCOTLAND) LT, Alastaj Brown, Paisley, UK



Participants

globaltek, Mohana Achutha, Bangalore, India
Glueteknika, Edyta Kosiak, D blin, Poland
GMPi Maschinen GmbH, Manfred Wollmershäuser, Ilshofen , Germany
Golfstream Ltd, Derek Richford, Ramgate, Kent, UK
Grecon - Dimter Holooptimierung, Ulrich Schulze, Alfeld, Germany
Gregor Schuster Sportartikelhandel, Gregor Schuster, Baden, Austria
Guangzhou PengDong Co., Ltd., Zhao Yongcai, Xiaoxintang, Dongpu Town, Tianhe District, Guangzhou, China
Haeger Waggonbau, D. Haeger, Langenhagen, Germany
Halifax Numerical Controls Ltd, Halifax, UK
Handsteady Ltd, Chris Peacock, London, UK
Haus des Meeres, Dr. Daniel Abed Navandi, Wien, Austria
HAWEKA AG, Tilo Janz, Burgwedel, Germany
HDT Robotics, Inc., Joseph Gomes, Fredericksburg, USA
Heraeus Kulzer GmbH / Konstruktion Baumann, C. Weigel und C. Baumann, Hanau / Herbolzheim, Germany
HEVOS GmbH, Hubert Scheich, Eiterfeld, Germany
Hochschule für bildende Künste Hamburg, Sebastian Auray, Hamburg, Germany
HOMAG INDIA PRIVATE LIMITED, Sreedhar R, Bangalore, India
Hunter Douglas Europe bv, Michiel Langeveld, EL Rotterdam, Netherlands
HYDROPROCESS, Philippe Dereims, Chalon/Saône, France
HYT ENGENNERING COMP.PVT LTD, Gajanan Mete, Pune, India
IBK Ingenieurbüro Rainer Karallus, Rainer Karallus, Horst, Germany
IDEC sas, Fabrice Donnadiou, Génissieux, France
IMA, Alessandro Grassi, Budrio, Italy
IMV metalomecânica, Luis Amaral, Amor, Portugal
Independent innovator, Andrzej Pastwa, Gdansk, Poland
Industrial arcol, Marco López, La Roca del Vallès, Spain
Ingenieurbüro Norbert Derenda, Carsten Bey, Stahnsdorf, Germany
INSOTEC GmbH, Markus Grötsch , Weiden, Germany



Teilnehmer

Institut für Meereswissenschaften IfM-Geomar, Ralf Schwarz, Kiel, Germany
IRCCS Istituto Ortopedico Galeazzi, Matteo Moretti, Milano, Italy
ISL Industrieservice Lempe, Hagen Lempe, Flieth-Steglitz, Germany
ITEKTUR UG, Jörg Virchow, Hannover, Germany
IUT INNOVATIO, Thierry Bombardier, Gradignan, France
J.T.C. Spółka Akcyjna, Marcin Foit, Gliwice, Poland
JAUGECLAIR, Laurent Daudibon, Nanterre, France
JiangSu Sanlian Biotechnology Co.,Ltd, Wu Maopeng, Wuxi, China
Jori NV, Steven Van Luchene, wervik, Belgium
Karofilm, Thomas Bartels, Braunschweig, Germany
Kaspar Schulz Brauer eimaschinenfabrik & Apparatebauanstalt KG, Christoph Bissinger, Bamberg, Germany
Kedar Concepts, Yogesh Pradhan, Ahmedabad, India
KENNAMETAL INDIA LIMITED, Murali S, Bangalore, India
Kerstin Ergenzinger, Bremen, Germany
Kinematec, Frank Titze, Balingen, Germany
Kingkraft Ltd, Marcus Crossley, Sheffield, UK
Koch Pac Systeme GmbH, Benjamin Dölker, Pfalzgrafenweiler, Germany
KRAUS Sägewerk / Instandsetzung, Schreyer, Gerlach, Altenstadt, Germany
KTElektronik Welsede, Klaus-Jürgen Thiesler, Emmerthal, Germany
kurzweilig, Martina Brandmeier, Gross-Umstadt, Germany
LA MECANIQUE ET SES APPLICATIONS, Philippe Vergnaud, Rouffignac Saint Cernin, France
LANG MODELLBAU, Ulrich Lang, Oberburg, Switzerland
Layne Tilby, West Haven, USA
Lehner Agrar GmbH, Jürgen Beck-Graf, Westerstetten, Germany
Letromec Industries (KL) sdn Bhd, Kwee Hwa Gan, Puchong, Malaysia
Lignum arts GmbH, Tobias Jung, Fürstenfeldbruck, Germany
LIMAC Products, Richard Porqueddu, Upton, USA
Liszcai Foamcutter, Lukacs Liszkai, Dunaujvaros, Hungary
Liuzhou Automobile Seating Chair Co., Ltd., Li Liming, Liujiang, Liuzhou, China



Participants

LMD GmbH & Co.KG aA, Daniel Gies, Lennestadt, Germany
LUNTAI ENTERPRISE CO., LTD, Chih An Hsu, Shengang Township, Taichung county 429, Taiwan
Mahle GmbH, Hans Jikeli, Stuttgart, Germany
Mainetti s.p.a., Giovanni Ziggliotti, Castelgomberto, Italy
Malte Ahlers, Oldenburg, Germany
Manufaktur Soltar, Daniel Peter, Davos, Switzerland
Materials Engineers Group sp. z o.o., Jakub Michalski, Warsaw, Poland
Maturo, Markus Saller, Pfremd, Germany
Matussek Metalltechnik GmbH, Andreas Klie, Stadtoldendorf, Germany
maxon motor GmbH, Philip Deimling, Sexau, Germany
MBP Concepts Ltd, Matthieu Philippault, London, UK
mehta cad cam, Dinesh Suthar, Ahmedabad, India
MERITS HEALTH PRODUCTS CO., LTD., James Lai, Taichung 40768, Taiwan
Mid Anglia Engineering, Ian Gilbert, Burton on Trent, UK
MID-Continent Engineering, Michael Heisig, Minneapolis, USA
Miithras Holding GmbH & Co.KG, Markus Meny, Dersum, Germany
MISS Group, Mohana Varma, Hyderabad, India
Mitja Narobe, Jesewice, Slovenia
MONT BLANC MOBILITY, Jean-Luc Fumex, Seynod, France
MSNT GmbH, Jaime J. Martens, Hamburg, Germany
Multilit Fibrocimento Ltda., Leonidas Franco de Jesus, Curitiba / Paraná, Brazil
Munsch, Bernd Wirtgen, Ronsbach-Baumbach, Germany
Nanjing Kangni Mechanical & Electrical Co., Ltd., Liu Luoming, Nanjing, China
Narec, Harry Jones, Blyth, UK
Neumayer Maschinenbau, Wilhelm Neumayer, Marzling, Germany
NEVIO DESIGN INC, Auger Erick, Jonquiere, Canada
Niesmann und Bischoff, Hans Geyer, Polch, Germany
Nowotech, Ernst Nowotny, Wien, Austria
NUMBERGER METALLVERARBEITUNG, Karl Huber, St. Wolfgang, Germany
NUOVA T.F.M. di LAPADULA GIUSEPPE, Giuseppe Lapadula, Torino, Italy



Teilnehmer

Oerlikon Solar AG, Trübbach, Damian Ehrensperger, Basel, Switzerland
Optitek GmbH, Hermann Geers, Kierspe, Germany
Oswald Hain, Steinberg am See, Germany
Otto Bock HealthCare GmbH, Christian Bock, Duderstadt, Germany
P&F BROTHER IND., CORP, Stephen Tseng, Taichung, Taiwan
PAMILAS ITALIA SNC, Ivan Malaguti, San Giovanni in Persiceto, Italy
PANKONIN & SANDHAM GbR, Andreas Pankonin, Düsseldorf, Germany
Peter Slatnar S.P., Peter Slatnar, Cerklje na Gorevsskem, Slovenia
PFF - Papier in Form und Farbe GmbH, Joachim Brand, Marienberg, Germany
Phantom Products, Tomas Kutman, Prague, Czech Rep.
Pharmacie du Colombier, François Besvel, Lieusaint, France
phoenus, Nicolas Abouchaar, Taanayel, Lebanon
PIOTEC ltd, John Rooney, Dunmurry Belfast, UK
Pirnar and Savsek Engineering Biro D.O.O., Janez Lukančič, Trbovlje, Slovenia
Poclairn Hydraulics Kladivar doo, Anze Cevik, Ziri, Slovenia
Polo Tecnico Industriale Professionale ITIS Augusto Righi IPSIA Oreste Mozzali Treviglio, Donato Mazzei, Treviglio(BG), Italy
Prewi Schneidwerkzeuge GmbH, Jamie Hodgson, Herford, Germany
PRO.DI.MA. S.R.L., Pier Luigi Camesasca, Giussano, Italy
Pro.tec, Bruno Piovan, La Loggia, Italy
PRODULEX UNIPESOAL LDA, Marco Portocarrero, Caminha, Portugal
Progic Tecnologia Eletrônica Ltda ME, Tiarlei Noeremberg, Florianópolis / SC, Brazil
Project Design, Mirko Scaratti, Cella Dati, Italy
ProLine Drag Chassis, John Wheelock, Pine Island, USA
promaxx, Hendrik Fisser, Hannover, Germany
Pulver&Müller GmbH, Kurt Pulver, Michelau-Neuensee, Germany
Qlibro, Jens Backer, Willich, Germany
QUINTER Enginnering GmbH, Marco Quinter, Marthalen, Switzerland
Rafal Wagner, Ilowo, Poland
Rhodes Trailers & Truck Bodies, John Rhodes, Parkersburg, WV , USA



Participants

RINK GmbH & Co. KG, Olaf Staave, Kreuztal-Littfeld, Germany
RINNTECH, Frank Rinn, Heidelberg, Germany
Rippert Anlagentechnik GmbH & Co. KG, Oliver Arndt, Herzebrock-Clarholz, Germany
Robert Buisan, Mauguio, France
roylan industries inc., Tom Banks, Holland Landing, ON, Canada
RTI Sports GmbH / Ergon, Andreas Krause, Urmitz, Germany
S.A.R.L. AQUIDEP, Xavier Couepel, Vayres, France
SARL VAT INDUSTRIE, André Vergnaud, Scille, France
SAS SVELTIC Claude Léger, Serge Briand, Laillé, France
Schmidhauser, Stephan Forster, Romanshorn, Switzerland
Schuster TEC GmbH, Thomas Schuster, Wohratal-Wohra, Germany
Scienza Machinale, Vittorio Gatto, Navacchio, Italy
Scienza machinale, Andrea Rossi, Navacchio (Pi), Italy
SCM Group s.p.a., Andrea Garavelli, Villa Verucchio (RN), Italy
Sejs Engineering A/S, Knud Lykkegaard, Silkeborg, Denmark
SERVICEVISION BIS S.L., Alfredo Valles, Cornella de Llobregat, Spain
Shanghai Fengjun Co., Ltd., Jiang Weifeng, Shanghai, China
Shanghai Ximing Vision Technology Co., Ltd., Gu Song, Shanghai, China
Shanghai Yuye Light Co., Ltd., Chen Zhiping, Shanghai, China
Siemens Shanghai Medical Equipment Co., Ltd., Liu Jian, Shanghai, China
SilberTool GmbH, Philipp Silberkuhl, Hannover, Germany
Simoldes Aços S.A., Domingos Pereira, Oliveira de Azeméis, Portugal
Sistemas de envasado Zermat S.A., Sergi Casanovas, Sant Quirze del Vallés, Spain
Solar Flight, Eric Raymond, Radovljica, Slovenia
SOLARBRUSH, Ridha Azaiz, Berlin, Germany
solarisdream, Luc Haegeman, Brakel, Belgium
Soldati AG, Lukas Müller, Emmen, Switzerland
SOLEV, Philippe Kerninon, Martel, France
Soltec Energías Renovables, Thomas Grant, Molina De Segura, Spain
Soluzioni per la pesca di Alemanni Francesca, Isabella Alemanni, Carpi, Italy



Teilnehmer

Source Sounds, Paul Ellis, Chapeltown, Sheffield, UK
South King Fire & Rescue, Steven Denton, Federal Way, USA
SP Technology Ltd, Martin Chalmers, Dundee, UK
Spectra Logic, Nick Nespeca, Boulder, USA
Spicycle Enterprises, William Spicer, Gunnison, USA
spirowind, Joseba Ariznabarreta, Aia, Spain
SPS-WELT Automatisierungs- und Antriebstechnik, Stefan Asbach, Aimersbach, Germany
Stadtwerke Rosenheim, Josef Gartner, Rosenheim, Germany
Straightline Precision Industries Inc., Dennis Paulson, Sidney, Canada
Sundaram Clayton Ltd., Asan Mohideen, Chennai, India
Suzhou Dongshan Precision Manufacturing Co., Ltd., Wang Su, Suzhou, China
Sydel, David Chalumeau, Lorient, France
System Strobel, Marcel Haug, Aalen-Wasseralfingen, Germany
Talamonti group s.r.l., Cesare Cislighi, Acquaviva Picena, Italy
Taller de Planchistería y Pintura Guggi S.L., Jordi Nielsen Muñoz, Torredembarra, Spain
Team H2politO - Politecnico di Torino, Massimiliana Carello, Torino, Italy
TECAU s.r.l., Luca Corbelli, Reggio Emilia, Italy
Technische Dienstleistungen, Hans Reich, Überlingen, Germany
Technische Universität Graz, RoboCup Team Mostly Harmless, Norbert Rath, Graz, Austria
TecnoSun Solar Systems AG, Thomas Vogel, Neumarkt i.d.OPf., Germany
Textile Enterprise Co Ltd, Roberto, Hetwood, UK
TIG-A-MATIC GmbH, Edwin Dorkowski, Altenkirchen, Germany
Tipper Tie Inc., Dennis May, Apex, USA
TMC/ AFTER SALE MANAGER, Mehdi Rafinejad, Tehran, Iran
TopChair, Hervé Le Masne, Montrabé, France
topex GmbH, Tim Stäbler, Erkenbrechtsweiler, Germany
Tradewind Turbines, Nick Del-Greco, Marsh Barton, Exeter, UK
Trailerteq, Ian M. Dunn, Farington Moss Leyland, UK
Transpak d.o.o., Dusan Unger, Murska Sobota, Slovenia
Trebbin GmbH & Co. KG, Josef Mayinger, Eichstätt, Germany



Participants

Treotham Automation/ HIS Hose, Adam Williams, Moorabbin, Australia
Trident Technologies Inc., Perry Hayter, London, ON, Canada
TSB SUGAR RSA, Nick Visser, Malelane, South Africa
T-Trade Engineering S.r.l., Andrea Zucchini, Loreggia, Italy
Ugin'Dentaire, Alain Jegoux, Seyssins, France
Vacuum Techniques Pvt. LTD, Girish M. Hebbar, Bangalore, India
VALCUT, George Val, Dällikon, Switzerland
Valkur LLC, Thor Swanson, Lafayette, USA
Venus Electronics & Controls Pvt. Ltd., Vijay Bhatia, Mumbai, India
VEZENJE ERCIGOJ D.O.O., Boštjan Vidmar, Ljubljana, Slovenia
Victor Requena, Barcelona, Spain
Vincent Systems GmbH, Dr. Stefan Schulz, Weingarten, Germany
VORO GdbR, Hubert Kern, Dingolfing, Germany
Vyara tiles, Kishor, Rami Vyara Surat, India
WEBSTER GRIFFIN LTD, Xavier Barraud, Crowborough, UK
Wilkhahan, Heiko Büttner, Bad Münders, Germany
Wojciech Skwira, Gdańsk, Poland
Wroclaw University of Technology, Grzegorz Hapel, Wroclaw, Poland
WTB design, Wim ten Bosch, GC Apeldoorn, Netherlands
Xiamen Huadian Switchgear Co., Ltd., Zhong Huayang, Xiamen, Fujian, China
Xi'an Chuanglian New Energy Equipment Co., Ltd., Shi Gang, Xi'an, China
Zdzisław Iwanow, Baranów, Poland
ZF-Lenkssysteme, Martin Hiller, Schwäbisch Gmünd, Germany
Zimmer Maschinenbau, Oswald Gartner, Kufstein, Austria
Zomi d.o.o., Tomaz Kos, Trebnjw, Slovenia